

Single-lever mixer Pull-down with spray function

33 870 895



- 240 mm projection
- pivotable spout 360°
- laminar and spray flow
- height of mixer 444 mm
- height up to laminar flow regulator 240 mm
- hole diameter 35 mm
- 1800 mm metal shower hose
- sprayface with anti-scaling system
- max. flow 10.4 l/min at 3 bar flow pressure
- lead-free
- This product can help a building to meet requirements of Green Building Rating Systems, e.g. LEED®, BREEAM®, DGNB

Intrinsic protection against back flow.

| | | |
|---|-------------------------------|---------------|
|  | Matte Black | 33 870 895-33 |
|  | Chrome | 33 870 895-00 |
|  | Brushed Platinum | 33 870 895-06 |
|  | Platinum | 33 870 895-08 |
|  | Durabrand (23kt Gold) | 33 870 895-09 |
|  | Dark Chrome | 33 870 895-19 |
|  | Brushed Durabrand (23kt Gold) | 33 870 895-28 |
|  | Brushed Champagne (22kt Gold) | 33 870 895-46 |
|  | Champagne (22kt Gold) | 33 870 895-47 |
|  | Brushed Chrome | 33 870 895-93 |
|  | Brushed Dark Platinum | 33 870 895-99 |

Recommended miscellaneous

Swivel limitation set

12 821 970 90



Recommended miscellaneous

Dispenser without rosette

82 424 970-33



Recommended miscellaneous

Strainer waste with control handle 10 712 970-33



Recommended miscellaneous

Dispenser without rosette

82 424 970-33



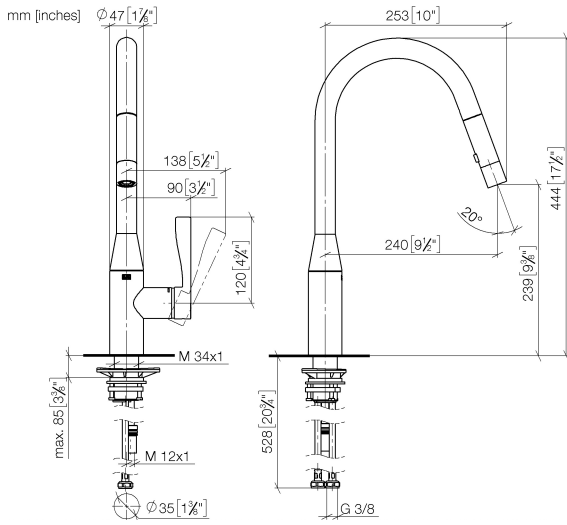
Recommended miscellaneous

Strainer waste with control handle 10 712 970-33

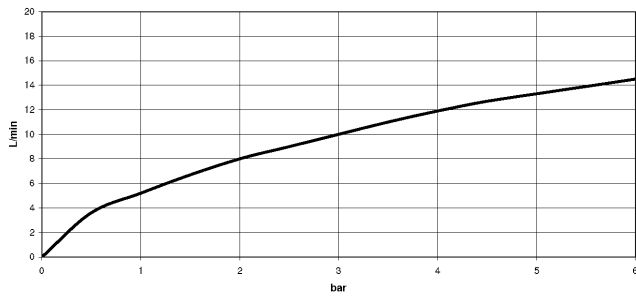


Single-lever mixer Pull-down with spray function

33 870 895



Flow rate chart



Single-lever mixer Pull-down with spray function

33 870 895

